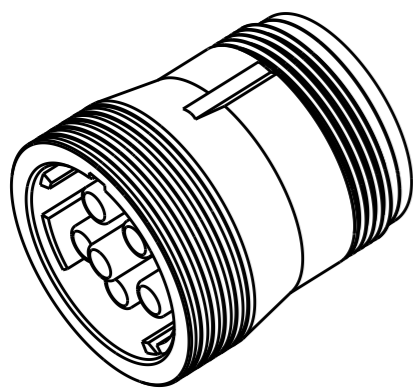
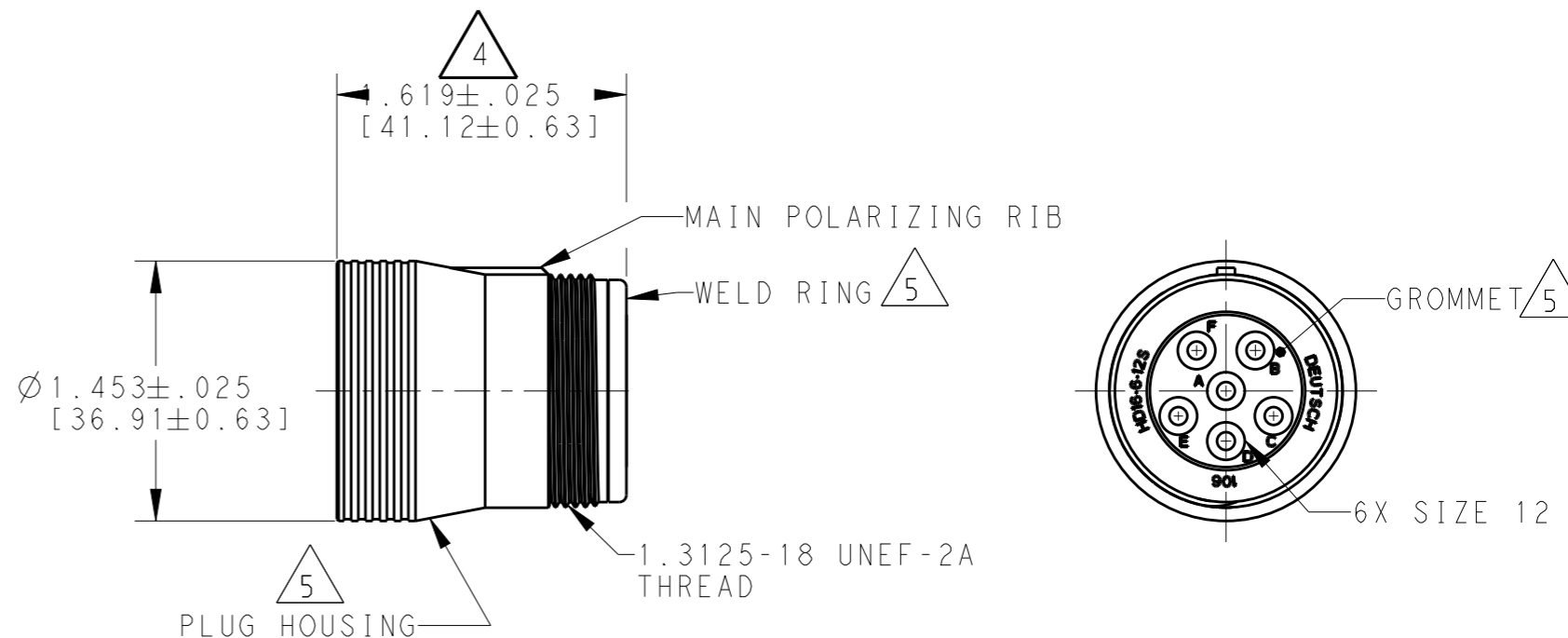
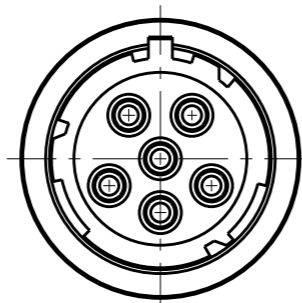


LOC	DIST	REVISIONS			
P	LTR	DESCRIPTION	DATE	DWN	APVD
-	-	C	REVISED PER E.O. P16237	22SEP1999	- RDR
		D	REVISED PER E.O. P19200	11MAY2006	- RDR
		E	REVISED PER E.O. P21133	29SEP2011	- RDR
		E1	REVISED PER ECO-14-002953	29JAN2014	PV DM



**3-D VIEW**



- 5. MATERIAL:  
PLUG HOUSING AND WELD RING: PA 15%GF (GREY)  
GROMMET: SILICONE (RED)
- 4. OVERALL DIMENSION DOES NOT INCLUDE RUBBER GROMMET.
- 3. THIS PLUG MATES WITH FOLLOWING RECEPTACLE (X=SEAL TYPE, XXXX= ALL MODIFICATIONS).  
HD10-6-12PX-XXXX  
HD14-6-12PX-XXXX
- 2. SEE DRAWING 0425-015-0000 FOR CONTACT AND WIRE PERFORMANCE AND APPLICATION CHARACTERISTICS.

1. SEE TABLE FOR USABLE WIRE RANGE AND INSULATION RANGE.

CONTACT SIZE	MINIMUM O.D.	MAXIMUM O.D.	WIRE RANGE [mm]
12	.134 [3.40]	.170 [4.31]	12 - 14 [3.0 - 2.0]

NOTES:

THIS DRAWING IS A CONTROLLED DOCUMENT.		DWN R. OCHOA 11AUG1999		
DIMENSIONS: INCHES [mm]		CHK I. GRANTCHAROVA 18SEP2013		
TOLERANCES UNLESS OTHERWISE SPECIFIED:		APVD D. MEYER 19SEP2013	NAME PLUG CONNECTOR HD10 SERIES 6-12S ARRANGEMENT COLOR: GREY	
0 PLC ±		PRODUCT SPEC -	SIZE A3	
1 PLC ±		APPLICATION SPEC -	CAGE CODE 00779	DRAWING NO. HD16-6-12S
2 PLC ±		WEIGHT 34.30 (g)	RESTRICTED TO -	
3 PLC ±.025		Customer Drawing	SCALE 1:1	SHEET 1 OF 1
4 PLC ±			REV E1	
ANGLES ± ±0° 30' 0"				
FINISH -				
MATERIAL (5)				